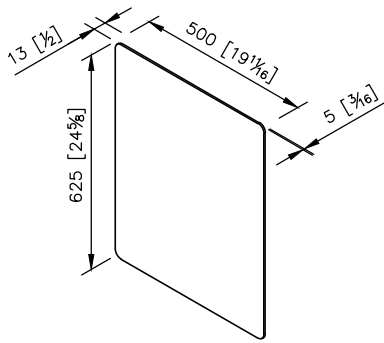


Mirror
0880-M1-7900

1. Mirror size 5*500*625mm.
2. Explosion-proof film (made in Germany) over the entire back.
3. Coordinates with other products in the same collection.



unit: mm[inch]

