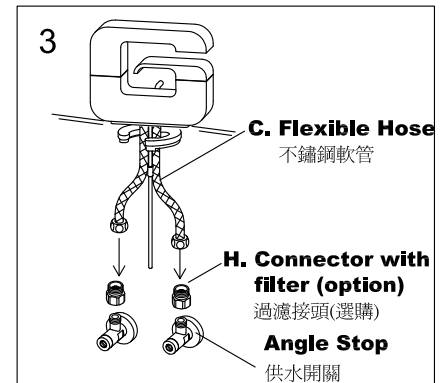
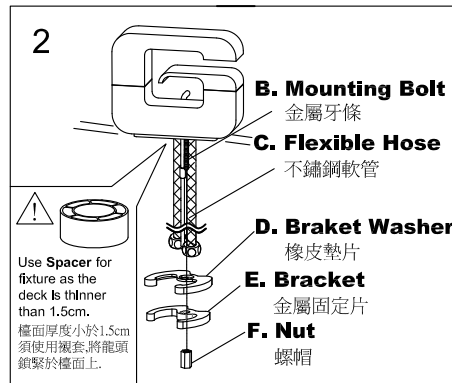
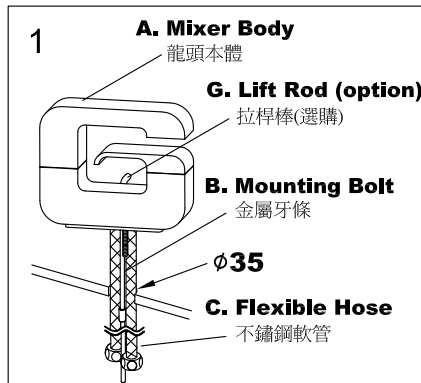


# INSTALLATION INSTRUCTIONS

## Single-handle Lavatory Faucet 單把手混合龍頭安裝說明

PATENT NUMBER:  
專利號碼:  
001018899-0005  
D129784  
ZL 2008 3  
0257797.9



**4 Water flow rate adjustable:**  
流量調整說明:

**6904-90**  
**By spout control**  
擺動出水口

**7904-90**  
**By handle control**  
把手控制

### CAUTION : Risk Of Product Damage.

注意：為增加產品使用壽命，請依說明清潔供水管路。

- Turn the angle stops (water suppliers) on and run for 1 minute before connect supply hose (flexible hose) to faucet body. or b./  
安裝編織管之前，先把供水開關全開排水一分鐘。或 b./
- Connect and tighten the faucet and angle stops with supply hose (flexible hose) to finish installation, then remove the aerator, fully turn on the hot and cold water valves on faucet and run for 1 minute, then turn off the water and reinstall the aerator.  
把龍頭、供水開關及編織管接好並鎖緊之後，把起泡器移開，把熱水及冷水全部轉開一分鐘，然後把水關掉再把起泡器裝回去。

- Screw **Flexible Hoses** and **Mounting Bolts** into the end of **Faucet Body**, insert **Flexible Hoses** and **Mounting bolts** through deck hole in fixture, then assemble **Lift Rod** with **Faucet Body**.

將冷熱進水不鏽鋼軟管和金屬牙條鎖緊固定於龍頭本體，再將冷熱進水不鏽鋼軟管和金屬牙條穿過洗臉盆（檯）洞口後，準備安裝，同時，把拉桿棒組裝在龍頭本體上。

- Place **Bracket** with **Bracket Washer** and **Nut** onto **Mounting Bolts**, then tighten **Nut** securely.

從金屬牙條下方依序套入橡皮墊片、金屬固定片和螺帽，確認方向位置後，鎖緊螺帽固定龍頭即可。

- Connect Hot & Cold **Flexible Hoses** to angle stops.

連接冷熱進水不鏽鋼軟管到供水開關，確認完成安裝程序。

- Different ways to adjust water flow rate according to the diverse product.

流量調整方式依產品型號有所不同。

## FIXING CONTENTS

### 組配件內容

