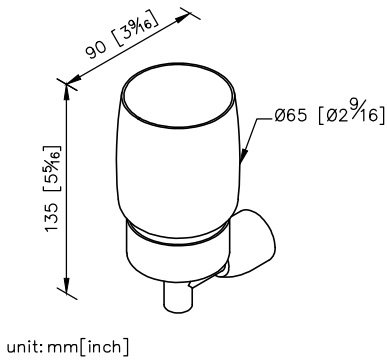


Tumbler Holder
6804-30-80SS



- 1.High Quality Brass.
- 2.Premium metal construction for durability.
- 3.Justime finishes resist corrosion and tarnish.
- 4.Finish meets the standard of ASTM-SC2.
- 5.The towel bar could be swiveled by user required and added the space for bathroom environment.
- 6.Finished: Brushed Nickel with Lacquer, fingerprint-resistant on the surface.
- 7.Correctly installed product's loading is 2 kgf.
- 8.Frosted glass.
- 9.Capacity: 220ml.
- 10.The hollow plinth design could stably the glass

