

Concealed Mixer Valve
6779-XN-80CP

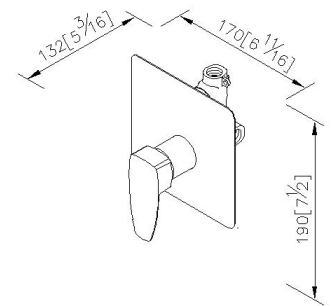
INTRODUCTION:

To create a comfortable bathroom, we have to simplify the idea of its interior design. We would like to present a tidy, functional, but not monotone or narrow shower space for users. Therefore, modern designers have come up a "concealed" conception with bath fittings. By removing the exposed metal pipes, the interior space can be increased a lot, making the bathroom more hygienic and natural. Eventually, taking a shower would be pleased, rather than just functional.



DESCRIPTION:

1. SC2 standard of ASTM.
2. G1/2 inlet.
3. With replaceable check valve both behind hot and cold water 1/2" inlet.
4. Handle can be moved up to 25° to adjust water flow rate from closed position, hot and cold water controlled by swinging handle for 45° both right and left sides.
5. The burying depth of embedded body is between 2"(6cm) Min~3"(7.6cm)Max from the finished wall.



unit: mm[inch]

Certification:

Fixing Kits:

1. N/A

AWARD: